



## ASSEMBLY INSTRUCTION

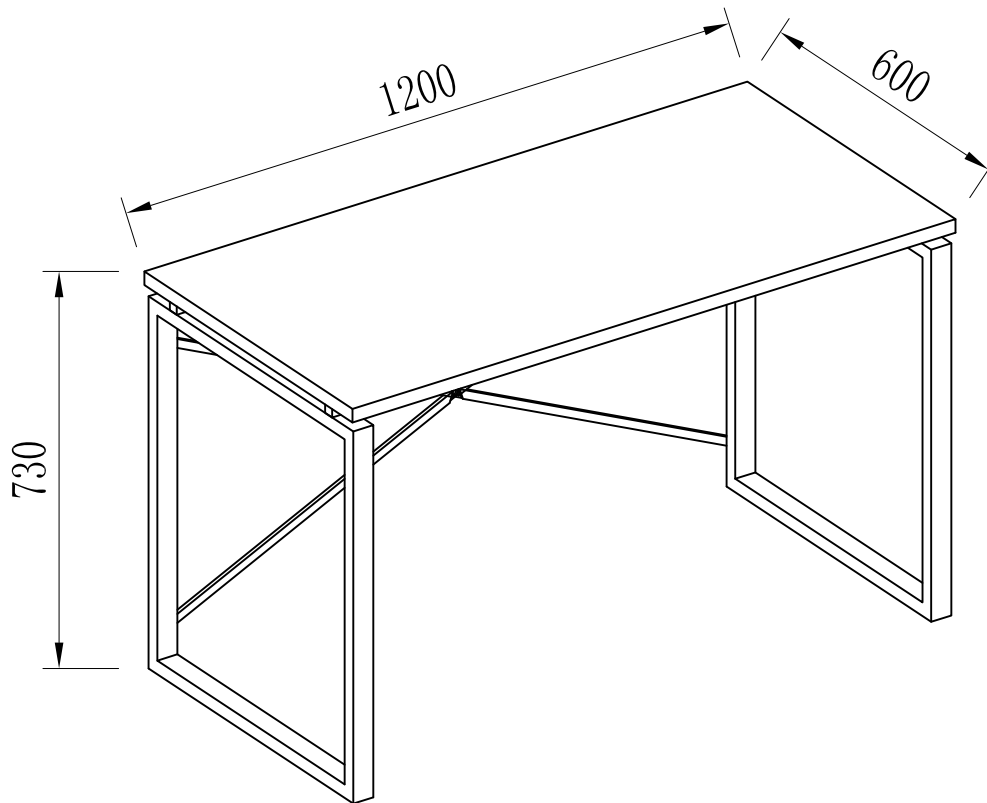
GLACIAL DESK

ITEM CODE 69409

Imported by Amart Furniture Pty Ltd. Qld. Brisbane Australia.

For any assistance with assembly or for missing parts please phone

Amart Furniture, Customer Service Free call 1800 351 084



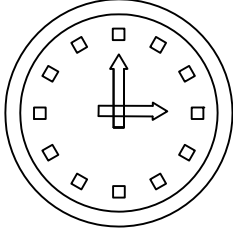
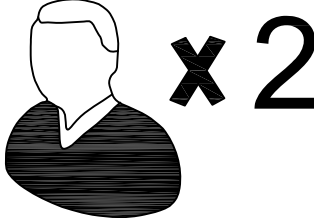

Imported by Amart Furniture Pty Ltd. Qld. Brisbane Australia.

For any assistance with assembly or for missing parts please phone Amart Furniture,  
Customer Service Free call 1800 351 084

# PRE-ASSEMBLY PREPARATION

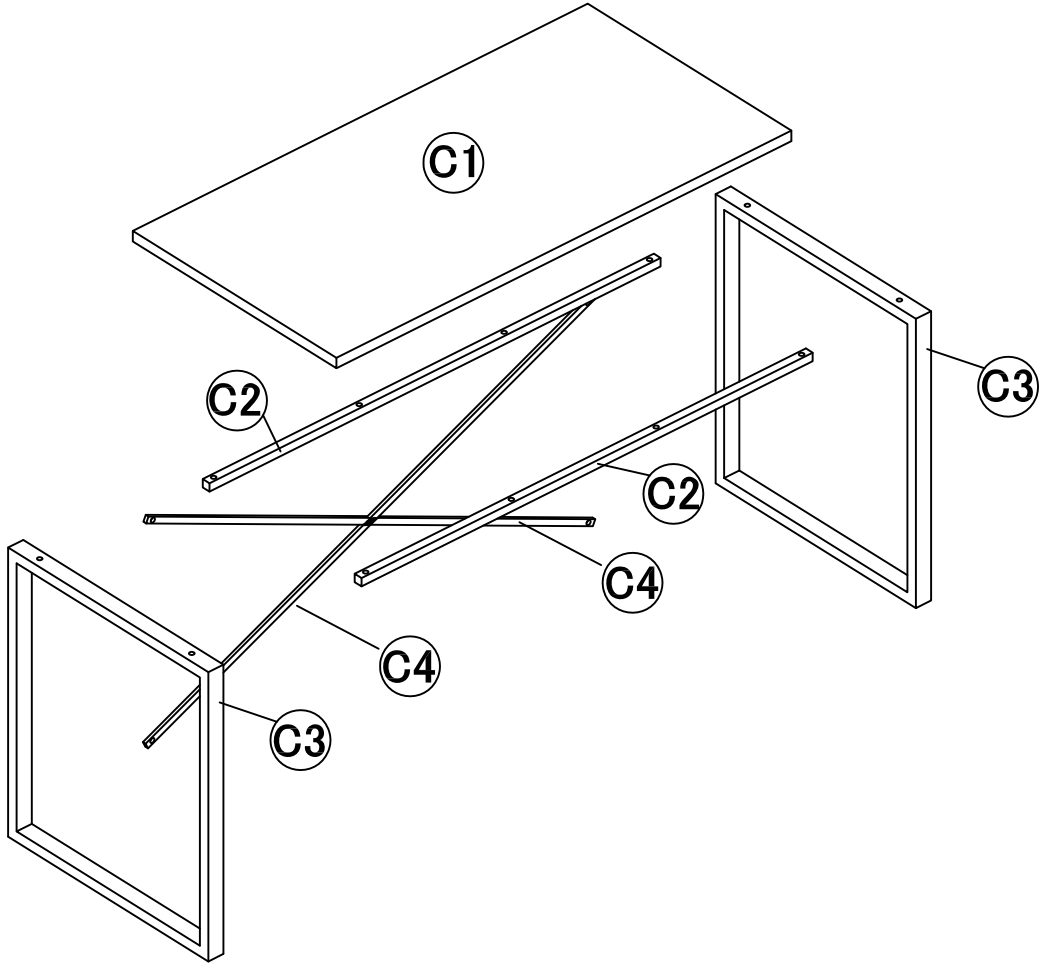
## Before you start:

1. Choose a clean, level, spacious assembly area. Avoid hard surfaces that may damage the product.
2. Take care when lifting. Product should be assembled as near as possible to the point of use.
3. Ensure that you have all required contents for complete assembly.
4. Always read the assembly instructions carefully before beginning assembly.
5. Keep all hardware parts and packaging out of reach of small children.
6. Do not over tighten the screws and bolts as this may damage the threads.

 ALLOW 20 MINUTES	 2 PEOPLE REQUIRED
 ⊕ ADDITIONAL TOOLS REQUIRED	

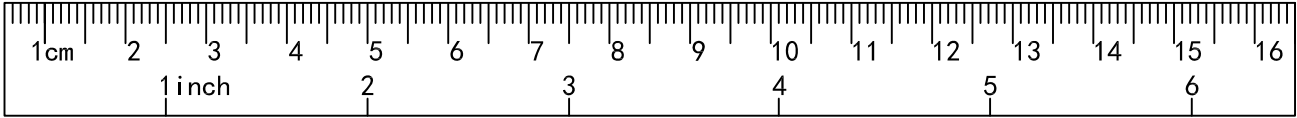
 <b>TIPPING WARNING</b> 	
	<p>Serious or fatal injuries may occur from furniture toppling over. To help avoid this please follow the below recommendations:</p> <ul style="list-style-type: none"><li>• Install the provided "Tipping Kit" as per the instructions</li><li>• Never allow children to climb on or hang off of any part of this product</li><li>• Unless specifically designed to accommodate, do not set TVs or other heavy objects on top of this product</li></ul> <p>If this product has drawers:</p> <ul style="list-style-type: none"><li>• Place the heaviest items in lowest drawers</li><li>• Do not open more than 1 drawer at a time as this may cause the product to become unbalanced</li><li>• Do not tamper with or remove any drawer interlocking/running system</li></ul> <p><b>Note:</b> The use of the provided "Tipping Kit" may reduce but not necessarily eliminate the risk of furniture toppling over. Please use this product with caution.</p> <p><i>This is a permanent label. Do not attempt to remove!</i></p>

# PARTS LIST

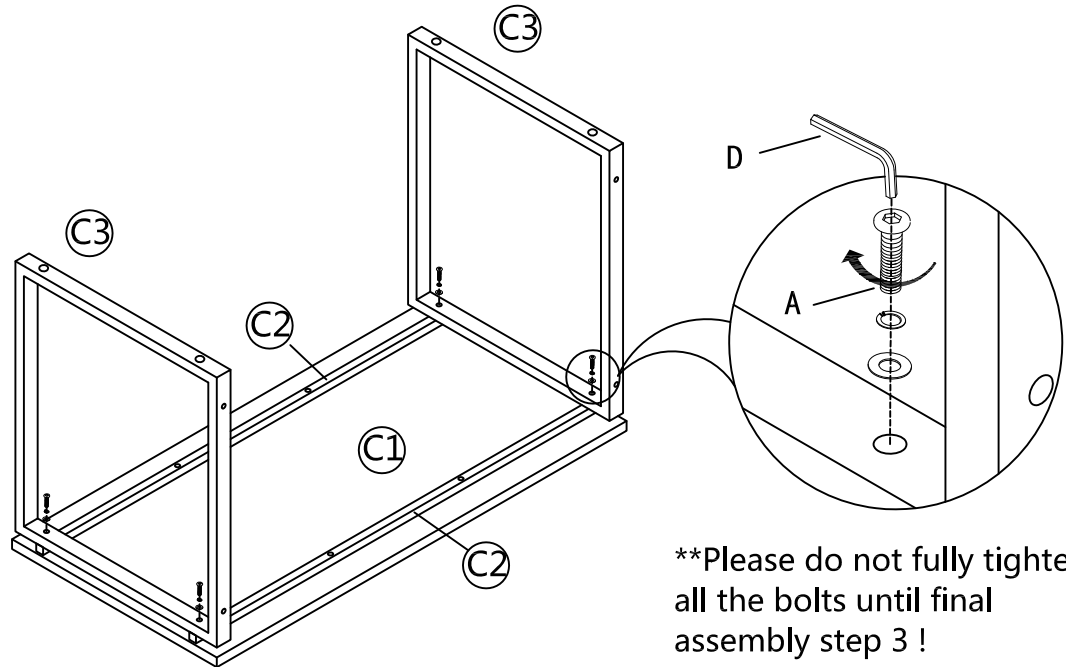


C1	Top panel	C3	Leg
C2	Bottom Support Bar	C4	Connect Bar

A. Bolt and Washer M8x65  4PCS	B. Bolt and Washer M8x40  4PCS	C. Bolt M6x15  5PCS	D. Hex Key 5MM  1PCE	E. Hex Key 4MM  1PCE	F. Hexagonal Nuts M6  1PCE	G. Wall Anchor  1PCE
--------------------------------------	--------------------------------------	---------------------------	----------------------------	----------------------------	----------------------------------	----------------------------

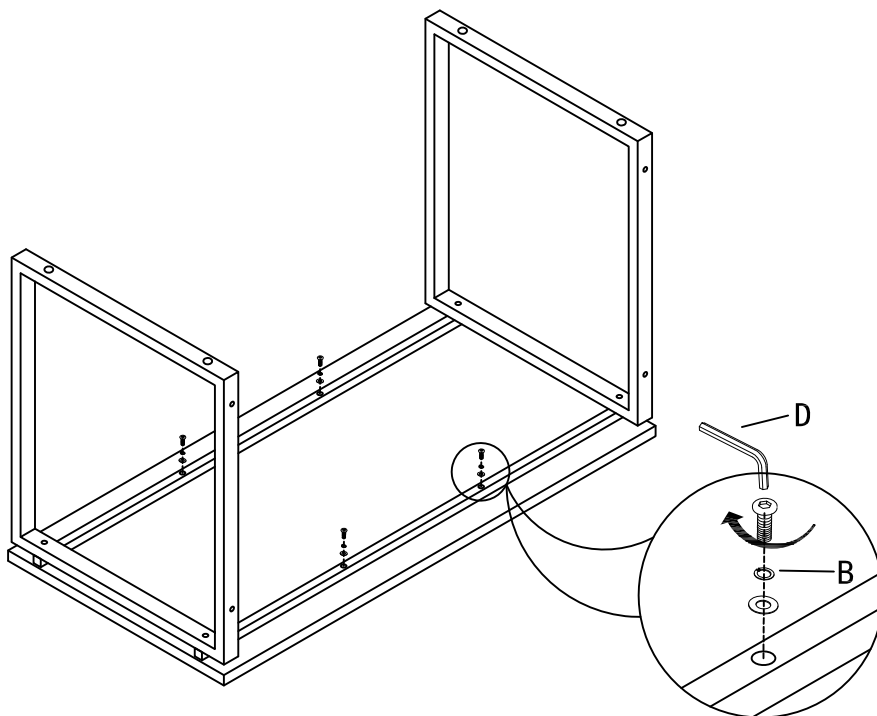


STEP 1: Use Hex Key(D) to tighten the Legs(C3) to the Bottom Support Bar(C2) and Top panel(C1) with Bolt(A) and Washer(A).



**\*\*Please do not fully tighten all the bolts until final assembly step 3 !**

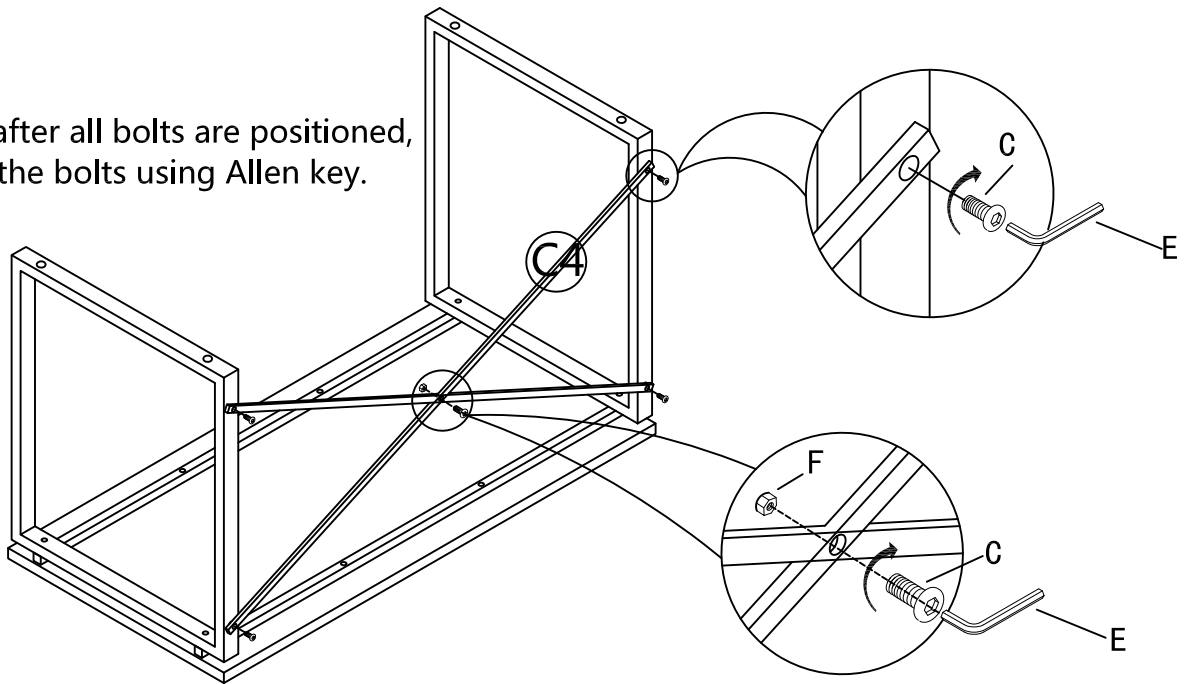
STEP 2: Use Hex Key(D) to tighten the Bottom Support Bar(C2) to the Top panel(C1) with Bolt(B) and Washer(B).



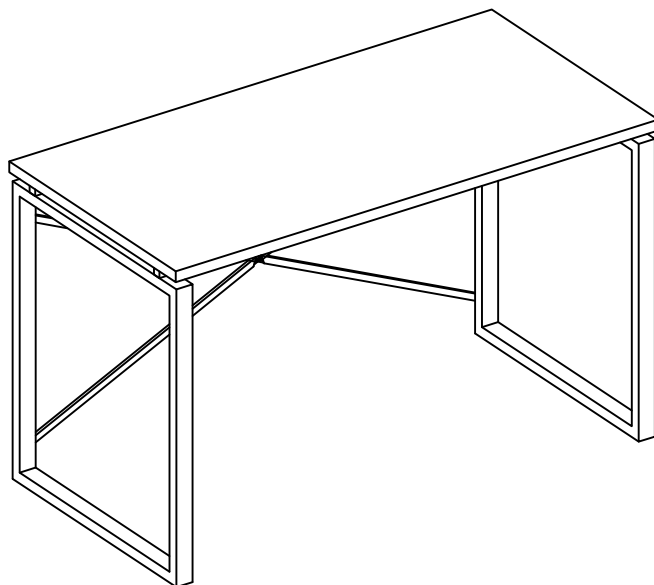
**\*\*Please do not fully tighten all the bolts until final assembly step 3 !**

STEP 3: Use Hex Key(E) to tighten the Connect Bar(C4) to the Legs(C3) with Bolt(C), tighten the two Connect Bar(C4) with Bolt(C)and Nut(F) at the junction.

**\*\*Please check after all bolts are positioned, fully tighten all the bolts using Allen key.**

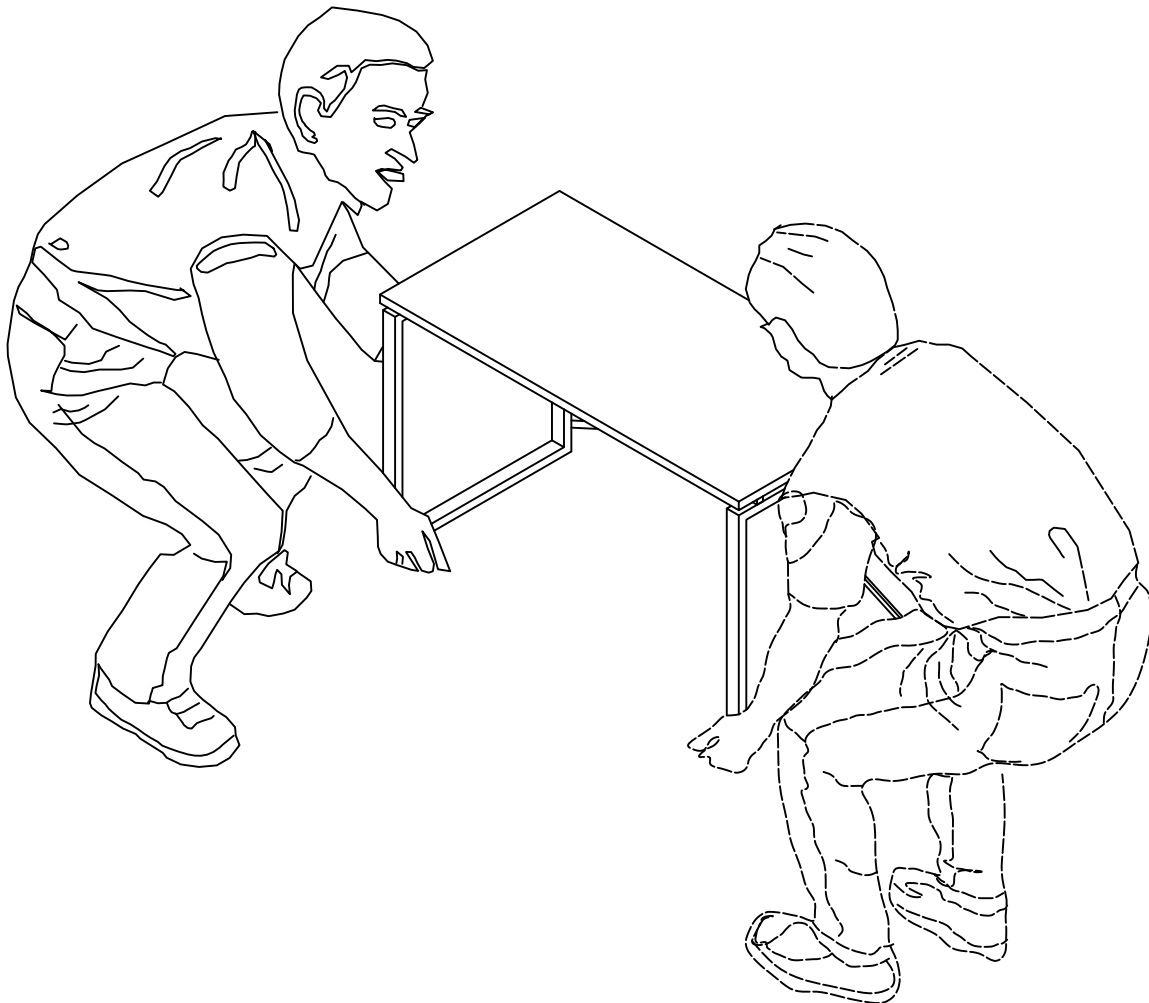


Assembly is complete.



Note -

Do not drag the furniture as this may cause damage to the legs. Instead, use 2 persons to lift carefully with caution from either end.



## SAFETY BRACKETS INSTRUCTIONS

This furniture poses a tipping risk and as such must be secured to a wall using the provided tipping kit.

1. Attach one Mounting Plate to the wall with the Large Screws. Make sure to attach the Mounting Plate into a stud. If mounting into brick or masonry you will need to acquire wall anchors. Please enquire with your local hardware supplier for appropriate fixings.
2. Attach the second Mounting Plate to the furniture frame with the Short Screws.
3. Move the furniture to its final position. Thread a Wall Strap through the both Mounting Plates and tighten until snug. Do not over tighten.
4. Make sure that the Mounting Plates are firmly attached to the wall and furniture and that the Wall Strap is snug.

### HARDWARE



Mounting Plate x 2



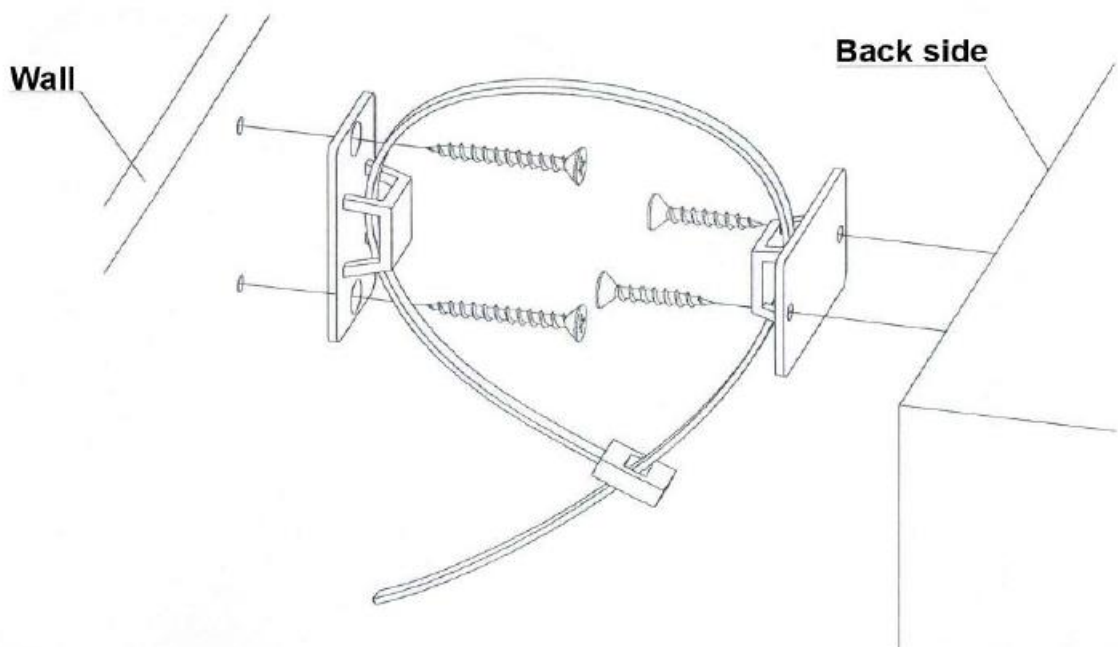
Wall Strap x 1



Large Screw x2



Small Screw x2



## **IMPORTANT: CARE GUIDE FOR YOUR HI-GLOSS FURNITURE**

*Congratulations! You have just purchased a quality product from Amart Furniture, Australia's largest discount furniture retail store. Please read on for important information regarding your purchase...*

Hi-gloss lacquered furniture is more sensitive to marks and scratching than some other furniture products. It is important to exercise caution and care to maximise the life and beauty of this product.

Following the below simple guidelines when using your hi-gloss product will protect your investment for years to come:

- Dust frequently with a clean damp, lint-free cloth. This will help remove abrasive build up which can damage a finish over time.
- Avoid using chemicals or solvents when cleaning the product.
- Do not place hot objects on any furniture surface. Always use a hot plate or placemat. Lacquer finishes provide added scratch and heat resistance to our furniture, but they can still be damaged without proper care.
- Avoid exposing your furniture to strong sunlight. Prolonged exposure to direct sunlight can fade the finish of your furniture.
- Do not expose your furniture to any liquids. Avoid allowing water to sit on your furniture. Alcohol, nail polish and perfume are particularly harmful as they will dissolve the lacquer finish on contact.
- Do not allow plastic to come in direct contact with your furniture. Chemicals in the plastic of some placemats etc may soften and mark the finish if left in contact with the furniture for a period of time.
- Avoid placing sharp or rough objects on the surface of your furniture. These may scratch the surface of the product.
- When moving your furniture, do not drag it across the floor. This may damage the product. Instead use two people to lift carefully with caution from either end.